

PLEASE CHECK WWW.MOLEX.COM FOR LATEST PART INFORMATION

Part Number: [5016481000](#)
Status: **Active**
Overview: [igrid](#)
Description: 2.00mm (.079") Pitch iGrid™ Wire-to-Board Crimp Terminal, Female, 26-28 AWG, Reel

Documents:

[Drawing \(PDF\)](#) [RoHS Certificate of Compliance \(PDF\)](#)
[Product Specification PS-501646-001 \(PDF\)](#)

General

| | |
|-------------------------|------------------------|
| Product Family | Crimp Terminals |
| Series | 501648 |
| Crimp Quality Equipment | Yes |
| Overview | igrid |
| Product Name | iGrid™ |

Physical

| | |
|--------------------------------|------------------------|
| Durability (mating cycles max) | 30 |
| Gender | Receptacle |
| Material - Metal | Copper Alloy |
| Material - Plating Mating | Tin |
| Packaging Type | Reel |
| Termination Interface: Style | Crimp or Compression |
| Wire Insulation Diameter | 0.85-1.40 (.033-.055") |
| Wire Size AWG | 26, 28 |
| Wire Size mm² | 0.079-0.136 |

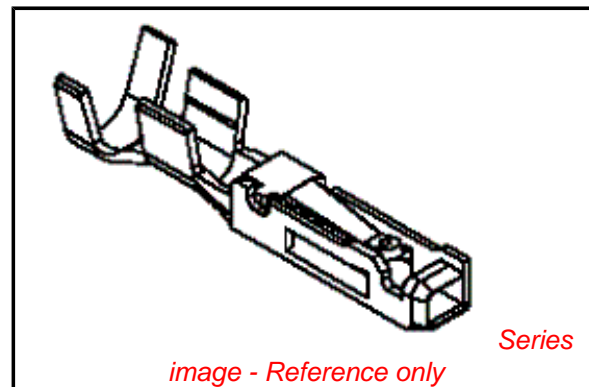
Electrical

| | |
|-------------------------------|------------------|
| Current - Maximum per Contact | 1.5A |
| Voltage - Maximum | 250V AC (RMS)/DC |

Material Info

Reference - Drawing Numbers

| | |
|-----------------------|---|
| Product Specification | PS-501646-001, RPS-501646-001, RPS-501646-002, RPS-501646-006, RPS-501646-007 |
| Sales Drawing | SD-501648-001 |



EU RoHS

ELV and RoHS Compliant
REACH SVHC
Contains SVHC: No
Halogen-Free Status

China RoHS



Need more information on product environmental compliance?

Email productcompliance@molex.com
 For a multiple part number RoHS Certificate of Compliance, [click here](#)

Please visit the [Contact Us](#) section for any non-product compliance questions.

Search Parts in this Series

[501648Series](#)

Mates With

[501645 Vertical Header](#) . [501676 Right Angle Header](#)

Use With

[501646 Receptacle Housing](#)

Application Tooling | FAQ

Tooling specifications and manuals are found by selecting the products below. Crimp Height Specifications are then contained in the Application Tooling Specification document.

Global

| Description | Product # |
|---|----------------------------|
| Manual Extraction Tool | 0638131500 |
| Hand Crimp Tool for 2.00mm (.079") Pitch iGrid™ Wire-to-Board Crimp | 0638192400 |

Terminals, 26-28
AWG
T2 Terminator 0638518100
Tooling Die
FineAdjust™ 0638618100
Applicator

Japan

Description **Product #**

Applicator for M211A 5780213000

Bench Press, 22-26

AWG, for 501647

and 501648 Crimp

Terminal

Side-Feed Applicator 5780213200

for Fully-Auto

Machine, 22-26

AWG, for 501647

and 501648 Crimp

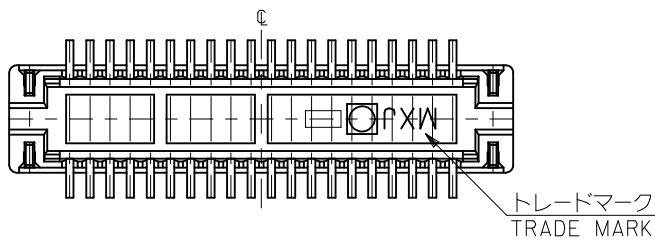
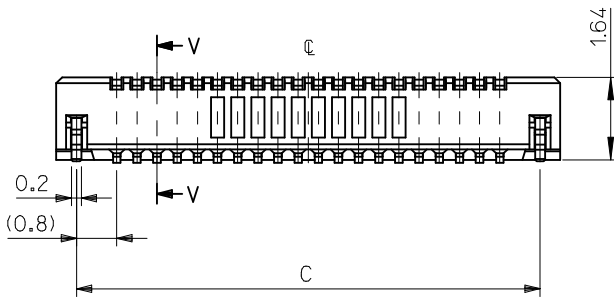
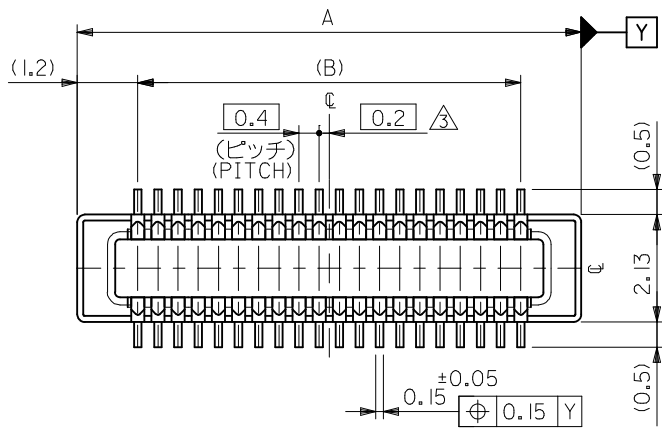
Terminal

Hand Crimp Tool - 5780215400

Straight Action

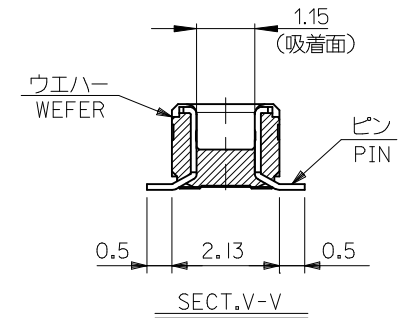
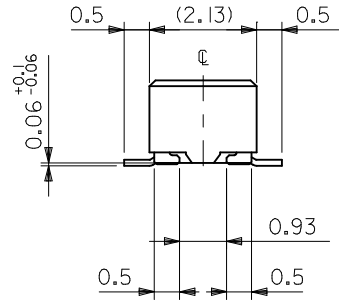
This document was generated on 05/31/2010

PLEASE CHECK WWW.MOLEX.COM FOR LATEST PART INFORMATION



注記 NOTES:

1. 使用材料 MATERIAL
 ウエハー: 液晶ポリマー (LCP) ガラス充填 UL94V-0 (黒)
 WAFER: LIQUID CRYSTAL POLYMER (GLASS FILLED)
 UL94V-0 (COLOR: BLACK)
 ピン: 黄銅 (t=0.12)
 PIN: BRASS (t=0.12)
 金具: リン青銅 (t=0.2)
 FITTING NAIL: PHOSPHOR BRONZE (t=0.2)
2. メッキ仕様 PLATING
 ピン PIN
 金メッキ 0.2 マイクロメートル以上 (コンタクト部)
 GOLD 0.2MICROMETER MINIMUM (CONTACT AREA)
 金メッキ 0.4 マイクロメートル以下 (テール部)
 GOLD 0.4MICROMETER MAXIMUM (TAIL AREA)
 下地メッキ: ニッケルメッキ 1.5 マイクロメートル以上
 UNDER PLATING: NICKEL 1.5MICROMETER MINIMUM
 金具 FITTING NAIL
 錫メッキ 1.0 マイクロメートル以上
 TIN PLATING 1.0MICROMETER MINIMUM
 下地メッキ: ニッケルメッキ 1.0 マイクロメートル以上
 UNDER PLATING: NICKEL 1.0MICROMETER MINIMUM



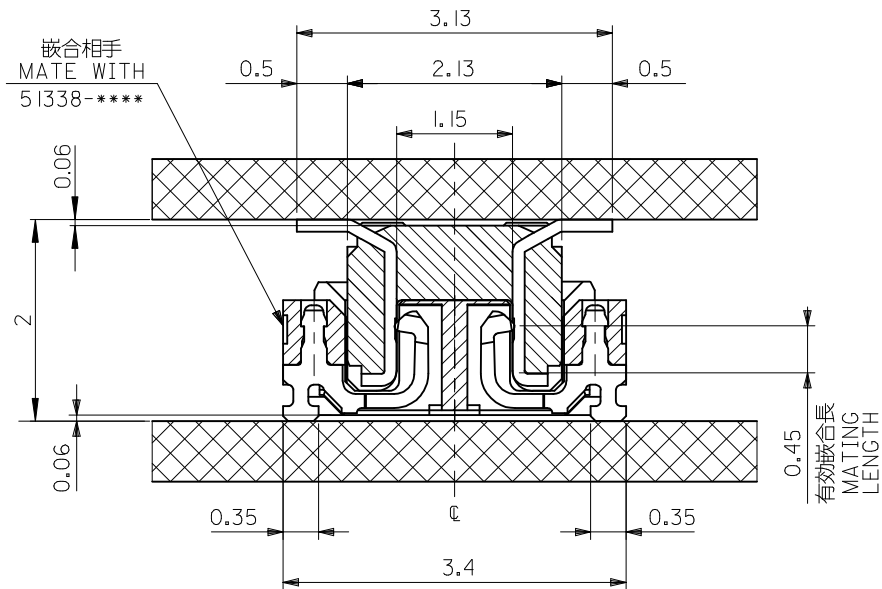
| | | | | | | |
|--------------|-----|------|------|------------------|-------------|------------------|
| - | O | 17.2 | 15.6 | 18.0 | 501745-0801 | 80 |
| O | O | 13.2 | 11.6 | 14.0 | 501745-0601 | 60 |
| O | O | 11.2 | 9.6 | 12.0 | 501745-0501 | 50 |
| O | O | 9.2 | 7.6 | 10.0 | 501745-0401 | 40 |
| - | O | 8.0 | 6.4 | 8.8 | 501745-0341 | 34 |
| 2.3 | 2.0 | C | | B | A | EMBOSSED PACKAGE |
| MATED HEIGHT | | | | ORDER NO. オーダー番号 | | CKT. |

CONNECTOR SERIES No. 501745-***0

| | | | | | | | |
|--|---------------------------------------|---|----------------------------|---------------------------|---|------------------------|------------------------|
| REVISED EC NO: J2010-0060 DRWN:MTAKASHI 03/2009/08/07 CHKD:THARUYAMA 2009/08/17 APPR:MSASAO 2009/08/17 | GENERAL TOLERANCES (UNLESS SPECIFIED) | | DIMENSION STYLE MM ONLY | | SCALE --- | DESIGN UNITS METRIC | THIRD ANGLE PROJECTION |
| | 10 UNDER | ±0.2 | DRAWN BY K. SAITO | DATE 2007/03/01 | TITLE 0.4 B-TO-B CONN. PLUG ASSY (HGT=2/2.3) WITH NAIL | | |
| | 10 OVER 30 UNDER | ±0.25 | CHECKED BY K. KASAHARA | DATE 2007/03/01 | MOLEX INCORPORATED | | |
| | 30 OVER | ±0.3 | APPROVED BY N. UKITA | DATE 2007/03/01 | DOCUMENT NO. SD-501745-001 | | |
| | ANGULAR ±3 ° | DRAFT WHERE APPLICABLE MUST REMAIN WITHIN DIMENSIONS | | MATERIAL NO. SEE TABLE | | SHEET NO. 1 OF 2 | |
| | | THIS DRAWING CONTAINS INFORMATION THAT IS PROPRIETARY TO MOLEX INCORPORATED AND SHOULD NOT BE USED WITHOUT WRITTEN PERMISSION | | | | | |

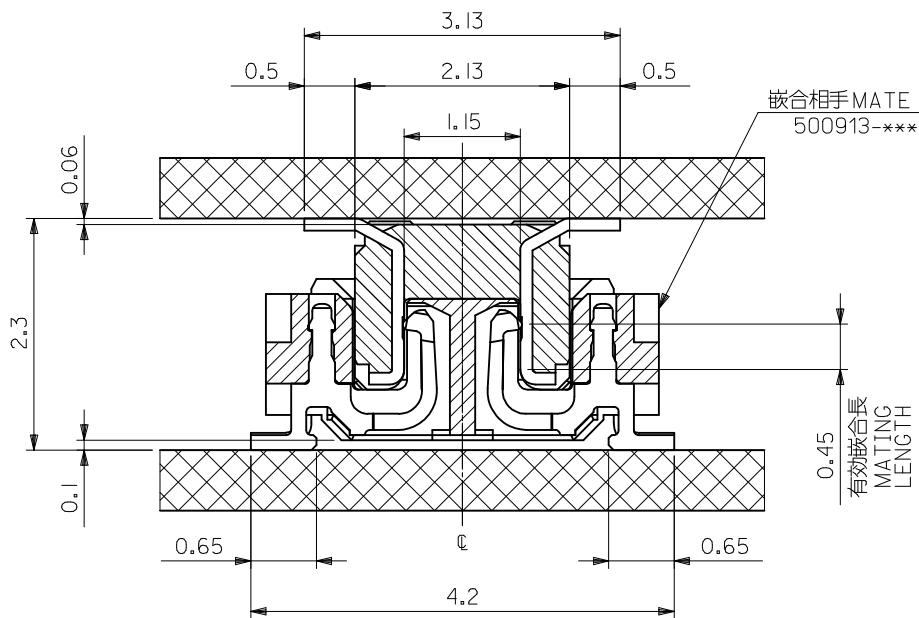
10 9 8 7 6 5 4 3 2 1

F



嵌合相手
MATE WITH
51338-****

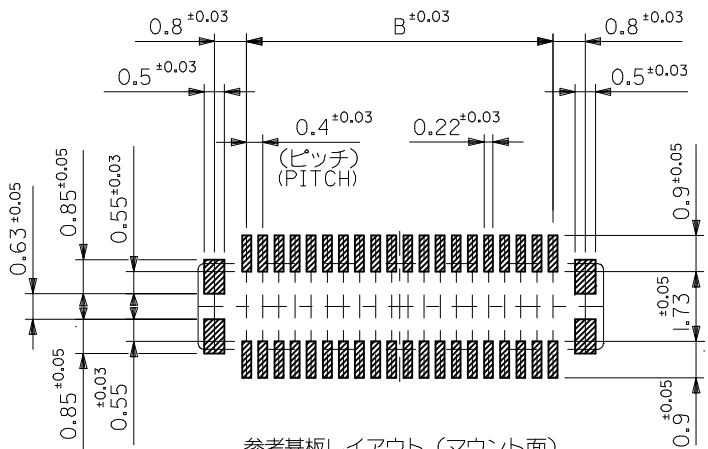
嵌合相手 MATE WITH
500913-****



嵌合断面図 (参考)
MATED DRAWING (REFERENCE)

嵌合断面図 (参考)
MATED DRAWING (REFERENCE)

C

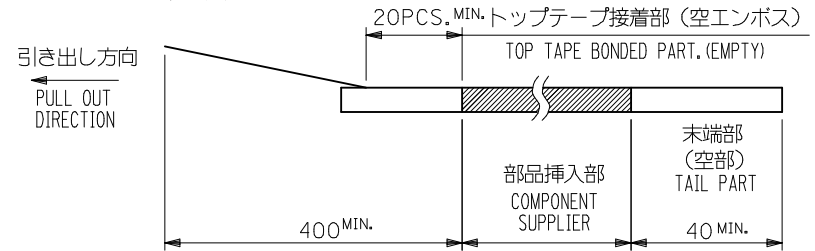


参考基板レイアウト (マウント面)
P.C.BOARD PATTERN DIMENSION.
(REFERENCE)
(MOUNTING AREA)

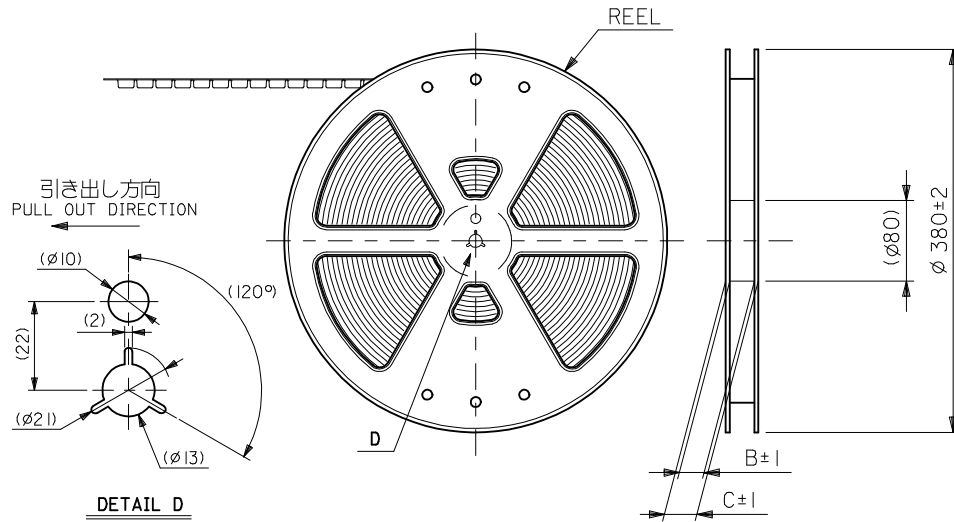
| | | | | | | | |
|--|--|--|--|--------------------|---|------------------------|----------------------------------|
| REVISED EC NO: J2010-0060 DRWN:MTAKAHASHI 03/2009/08/07 CHKD:THIRATA 2009/08/17 APPR:MSASAO 2009/08/17 | GENERAL TOLERANCES (UNLESS SPECIFIED) | | DIMENSION STYLE MM ONLY | | SCALE --- | DESIGN UNITS METRIC | CONNECTOR SERIES No. 501745-***0 |
| | 10 UNDER | ±0.2 | DRAWN BY K. SAITO | DATE 2007/03/01 | TITLE 0.4 B-TO-B CONN. PLUG ASSY (HGT=2/2.3) WITH NAIL | | |
| | 10 OVER 30 UNDER | ±0.25 | CHECKED BY K. KASAHARA | DATE 2007/03/01 | MOLEX INCORPORATED | | |
| | 30 OVER | ±0.3 | APPROVED BY N. UKITA | DATE 2007/03/01 | DOCUMENT NO. SD-501745-001 | | |
| REV | DESCRIPTION | ANGULAR ±3 ° DRAFT WHERE APPLICABLE MUST REMAIN WITHIN DIMENSIONS | MATERIAL NO. SEE SHEET 1 | | SHEET NO. 2 OF 2 | | |
| | | SIZE A3 | THIS DRAWING CONTAINS INFORMATION THAT IS PROPRIETARY TO MOLEX INCORPORATED AND SHOULD NOT BE USED WITHOUT WRITTEN PERMISSION | | | | |

NOTES

- 製品詳細寸法については製品単体図面を参照下さい。
RE DETAILED DIMENSION, SEE PRODUCT DRAWING.
- 梱包数量：2500個/リール
NUMBER OF CONNECTORS : 2500PCS/REEL
- リードテープ長さ LEAD TAPE LENGTH



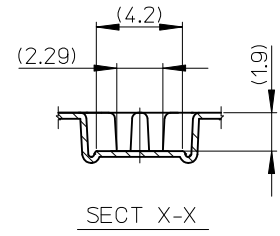
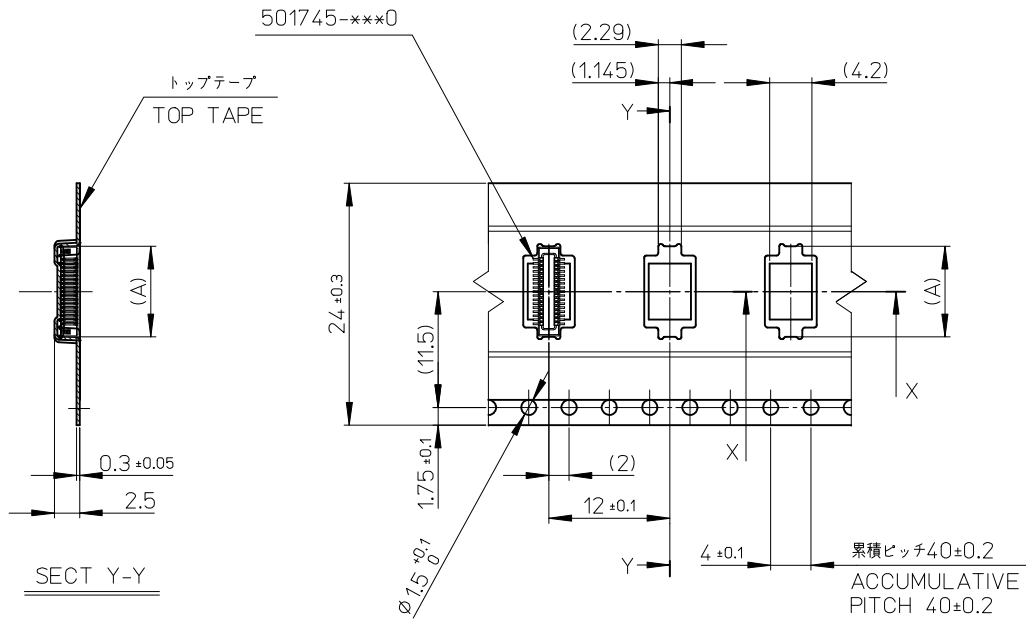
- 材料 MATERIAL
キャリアテープ (CARRIER TAPE) : ポリプロピレン (POLYPROPYLENE)
トップテープ (TOPTAPE) : PET , PE , PEF
リール (REEL) : ポリスチレン (PS) <リサイクル材を含む>
POLYSTYRENE (PS) <RECYCLE MATERIAL CONTAINED>
- ELV 及び RoHS 適合品
ELV AND RoHS COMPLIANT.



CONNECTOR SERIES No. 501745-***1

| | | | | | | | |
|--|---------------------------------------|-------|--|--------------------|---|-------------------------------|------------------------|
| REVISED EC NO: J2010-0060 DRWN:MTAKAHASHI 03/2009/08/07 CHKD:THIRATA 2009/08/17 APPR:MSASAO 2009/08/17 | GENERAL TOLERANCES (UNLESS SPECIFIED) | | DIMENSION STYLE MM ONLY | | SCALE --- | DESIGN UNITS METRIC | THIRD ANGLE PROJECTION |
| | 10 UNDER | ±0.2 | DRAWN BY K. SAITO | DATE 2007/03/01 | TITLE 0.4 B-TO-B CONN. PLUG ASSY (HGT=2/2.3) EMBSTP PKG | | |
| | 10 OVER 30 UNDER | ±0.25 | CHECKED BY K. KASAHARA | DATE 2007/03/01 | MOLEX INCORPORATED | | |
| | 30 OVER | ±0.3 | APPROVED BY N. UKITA | DATE 2007/03/01 | MATERIAL NO. SEE TABLE | DOCUMENT NO. SD-501745-002 | SHEET NO. 1 OF 3 |
| | ANGULAR ±3 ° | | DRAFT WHERE APPLICABLE MUST REMAIN WITHIN DIMENSIONS | | THIS DRAWING CONTAINS INFORMATION THAT IS PROPRIETARY TO MOLEX INCORPORATED AND SHOULD NOT BE USED WITHOUT WRITTEN PERMISSION | | |

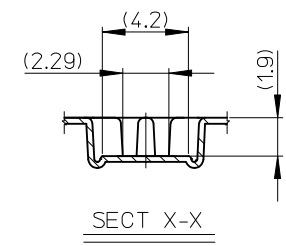
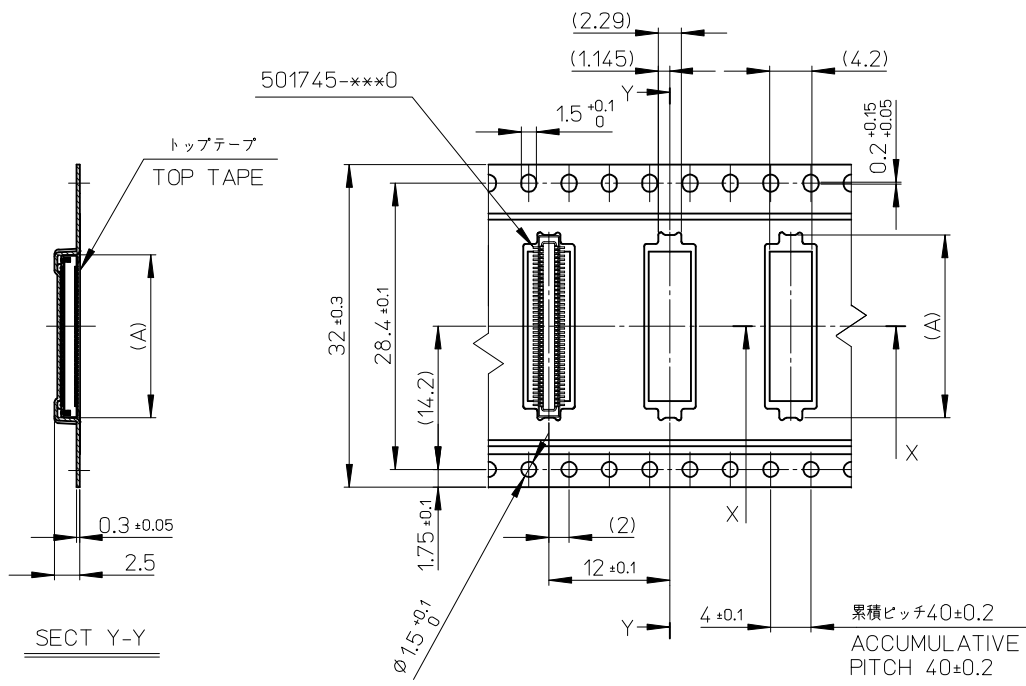
引き出し方向
PULL OUT
DIRECTION



| | | | | | |
|--------------------------------|------|------|-------|-------------------------------|------------|
| 24 | 29.4 | 25.4 | 14.16 | 501745-0601 | 60 |
| | | | 12.16 | 501745-0501 | 50 |
| | | | 10.16 | 501745-0401 | 40 |
| | | | 8.96 | 501745-0341 | 34 |
| キャリアテープ幅 CARRIER TAPE WIDTH | C | B | (A) | EMBOSSED PACKAGE ORDER NO. | 極数 CKT. |

| | | | | | | | | | | |
|--|---------------------------------------|---|--|--|---------------------------|--|-------------------------------|--|---|--|
| REVISED EC NO: J2010-0060 DRWN:MTAKAHASHI 03 2009/08/07 CHKD:THIRATA 2009/08/17 APPR:MSASAO 2009/08/17 | GENERAL TOLERANCES (UNLESS SPECIFIED) | | DIMENSION STYLE MM ONLY | | SCALE --- | | DESIGN UNITS METRIC | | CONNECTOR SERIES No. 501745-***1 | |
| | 10 UNDER | ±0.2 | DRAWN BY K. SAITO | | DATE 2007/03/01 | | TITLE | | 0.4 B-TO-B CONN. PLUG ASSY (HGT=2/2.3) EMBSTP PKG MOLEX INCORPORATED | |
| | 10 OVER 30 UNDER | ±0.25 | CHECKED BY K. KASAHARA | | DATE 2007/03/01 | | | | | |
| | 30 OVER | ±0.3 | APPROVED BY N. UKITA | | DATE 2007/03/01 | | | | | |
| | ANGULAR ±3 ° | | DRAFT WHERE APPLICABLE MUST REMAIN WITHIN DIMENSIONS | | MATERIAL NO. SEE TABLE | | DOCUMENT NO. SD-501745-002 | | SHEET NO. 2 OF 3 | |
| SIZE A3 | | THIS DRAWING CONTAINS INFORMATION THAT IS PROPRIETARY TO MOLEX INCORPORATED AND SHOULD NOT BE USED WITHOUT WRITTEN PERMISSION | | | | | | | | |

引き出し方向
PULL OUT
DIRECTION



SECT Y-Y

| | | | | | |
|--------------------------------|------|------|-------|-------------------------------|------------|
| 32 | 37.4 | 33.4 | 18.16 | 501745-0801 | 80 |
| キャリアテープ幅 CARRIER TAPE WIDTH | C | B | (A) | EMBOSSED PACKAGE ORDER NO. | 極数 CKT. |

| | | | | | | | |
|--|--|---|----------------------------|--------------------|--|-------------------------------|---------------------------|
| REVISED EC NO: J2010-0060 DRWN:MTAKAHASHI 03/2009/08/07 CHKD:THIRATA 2009/08/17 APPR:MSASAO 2009/08/17 | GENERAL TOLERANCES (UNLESS SPECIFIED) | | DIMENSION STYLE MM ONLY | | SCALE --- | DESIGN UNITS METRIC | THIRD ANGLE PROJECTION |
| | 10 UNDER | ± 0.2 | DRAWN BY K. SAITO | DATE 2007/03/01 | TITLE 0.4 B-TO-B CONN. PLUG ASSY (HGT=2/2.3) EMBSTP PKG | | |
| | 10 OVER 30 UNDER | ± 0.25 | CHECKED BY K. KASAHARA | DATE 2007/03/01 | MOLEX INCORPORATED | | |
| | 30 OVER | ± 0.3 | APPROVED BY N. UKITA | DATE 2007/03/01 | MATERIAL NO. SEE TABLE | DOCUMENT NO. SD-501745-002 | SHEET NO. 3 OF 3 |
| | ANGULAR ± 3 ° | THIS DRAWING CONTAINS INFORMATION THAT IS PROPRIETARY TO MOLEX INCORPORATED AND SHOULD NOT BE USED WITHOUT WRITTEN PERMISSION | | | | | |
| | DRAFT WHERE APPLICABLE MUST REMAIN WITHIN DIMENSIONS | | | | | | |